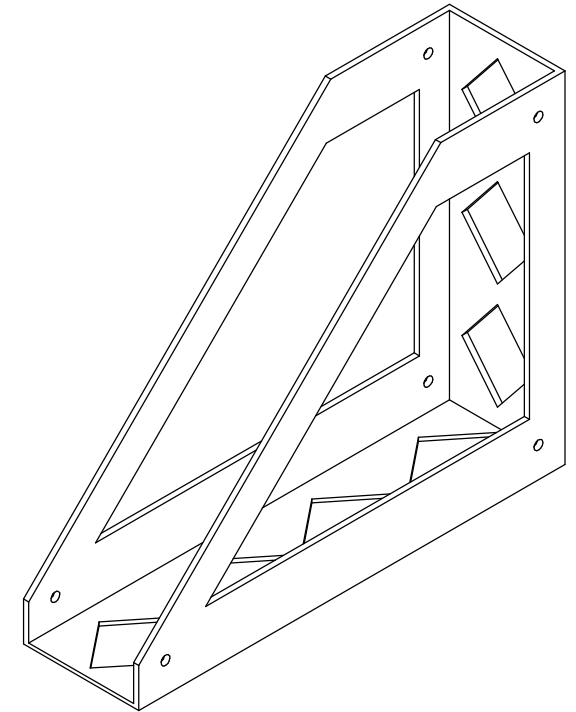
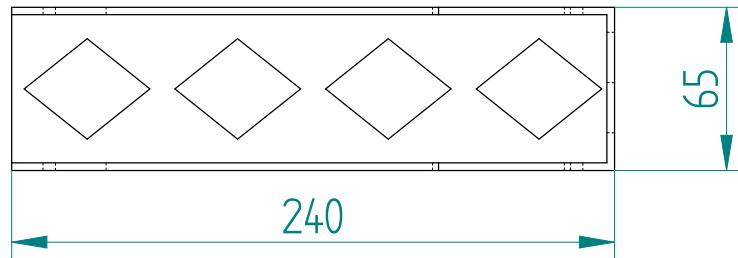
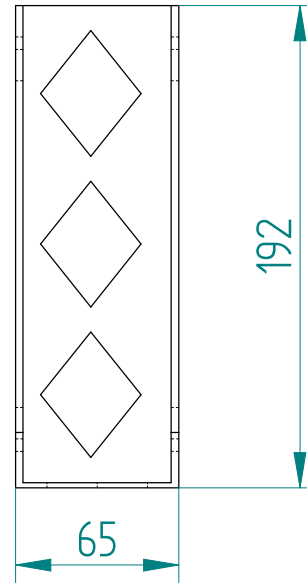
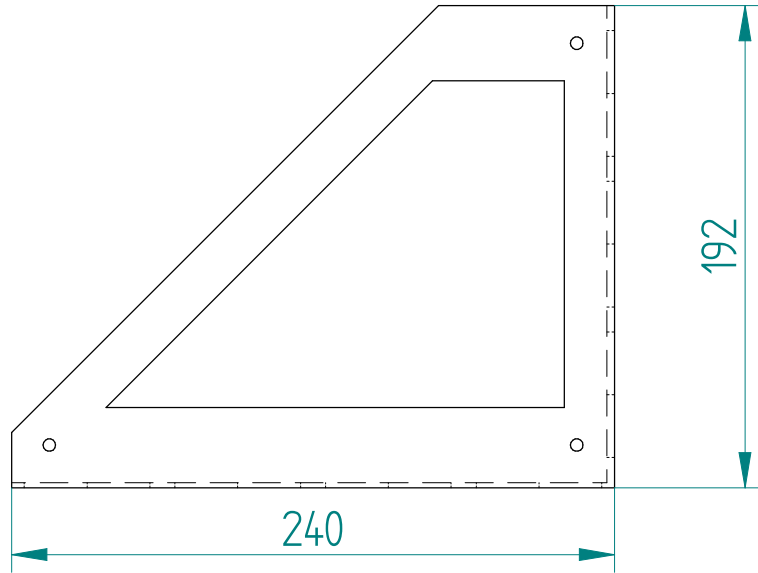


REVISION HISTORY			
REV	DESCRIPTION	DATE	APPROVED



Solid Edge Community Edition

DRAWN	NAME	DATE	Magazine File	
CHECKED	ctheroux	10/24/20	TITLE	
ENG APPR				
MEGR APPR				
UNLESS OTHERWISE SPECIFIED DIMENSIONS ARE IN MILLIMETERS ANGLES = 90°			SIZE: DWG NO	REV
2 PL. 4X3X3 PL. 4X3X3			A1	
FILE NAME: MagazineFile.dft			SCALE	WEIGHT
				SHEET 1 OF 1