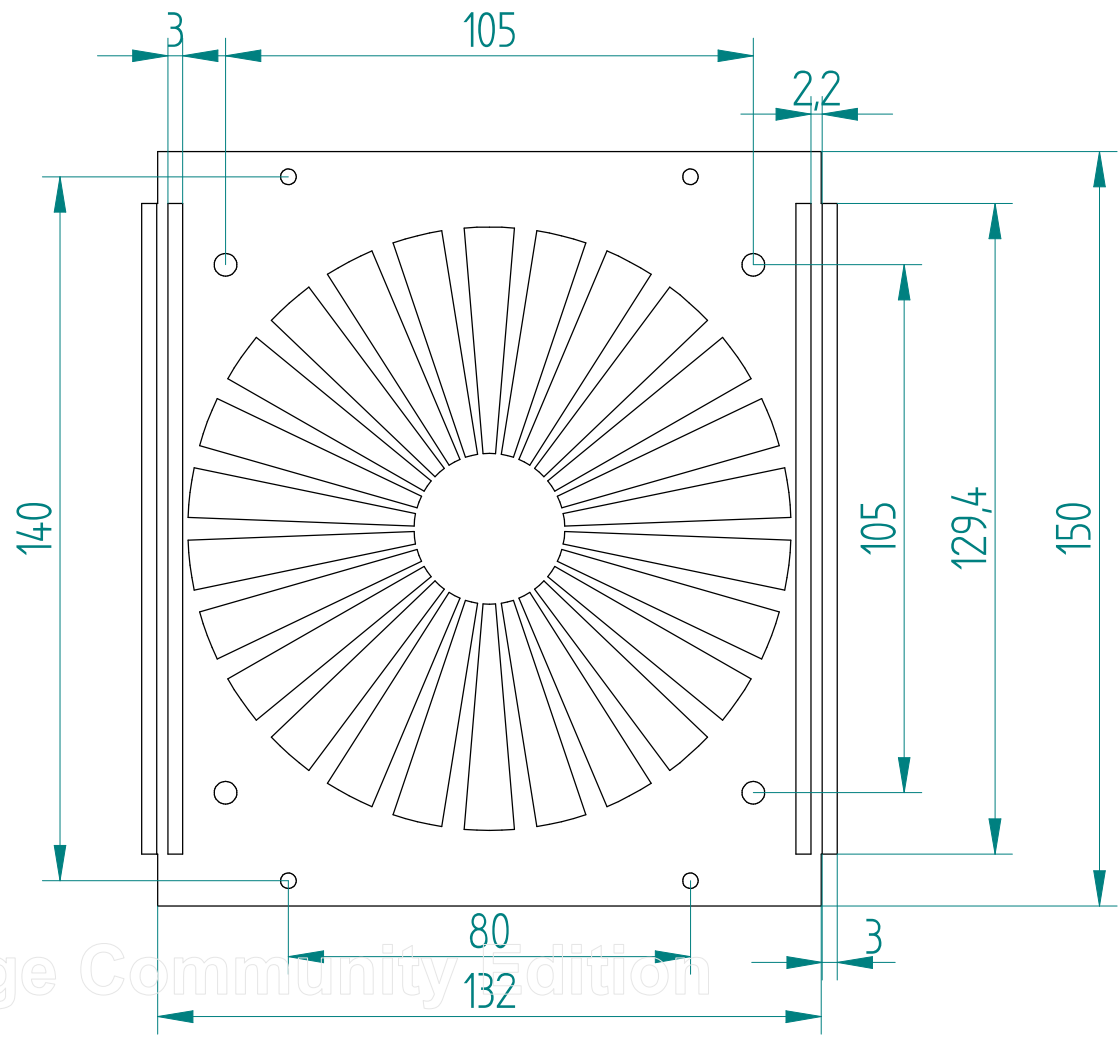
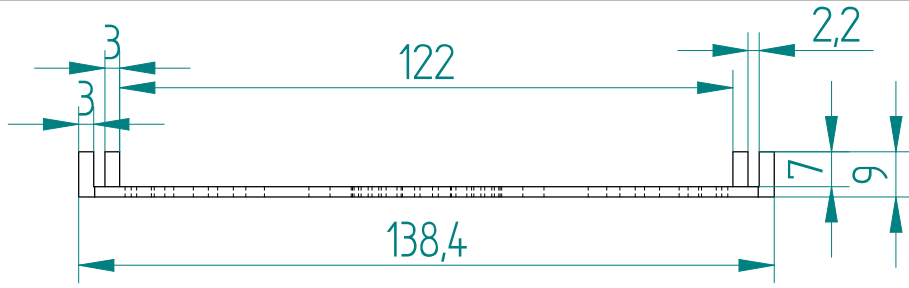


REVISION HISTORY			
REV	DESCRIPTION	DATE	APPROVED

DESIGN	NAME	DATE	Solid Edge	
CHECKED	OTHER	12/26/23	TITLE	
ENG. APPR.				
MEP. APPR.				
UNLESS OTHERWISE SPECIFIED DIMENSIONS ARE IN MILLIMETERS ANGLES IN °			SHEET NO.	REV
2 PL. #XXX 3 PL. #XXXX			A1	
FILE NAME: BortonCosaPatched1			SCALE	WEIGHT
				SHEET 1 OF 1

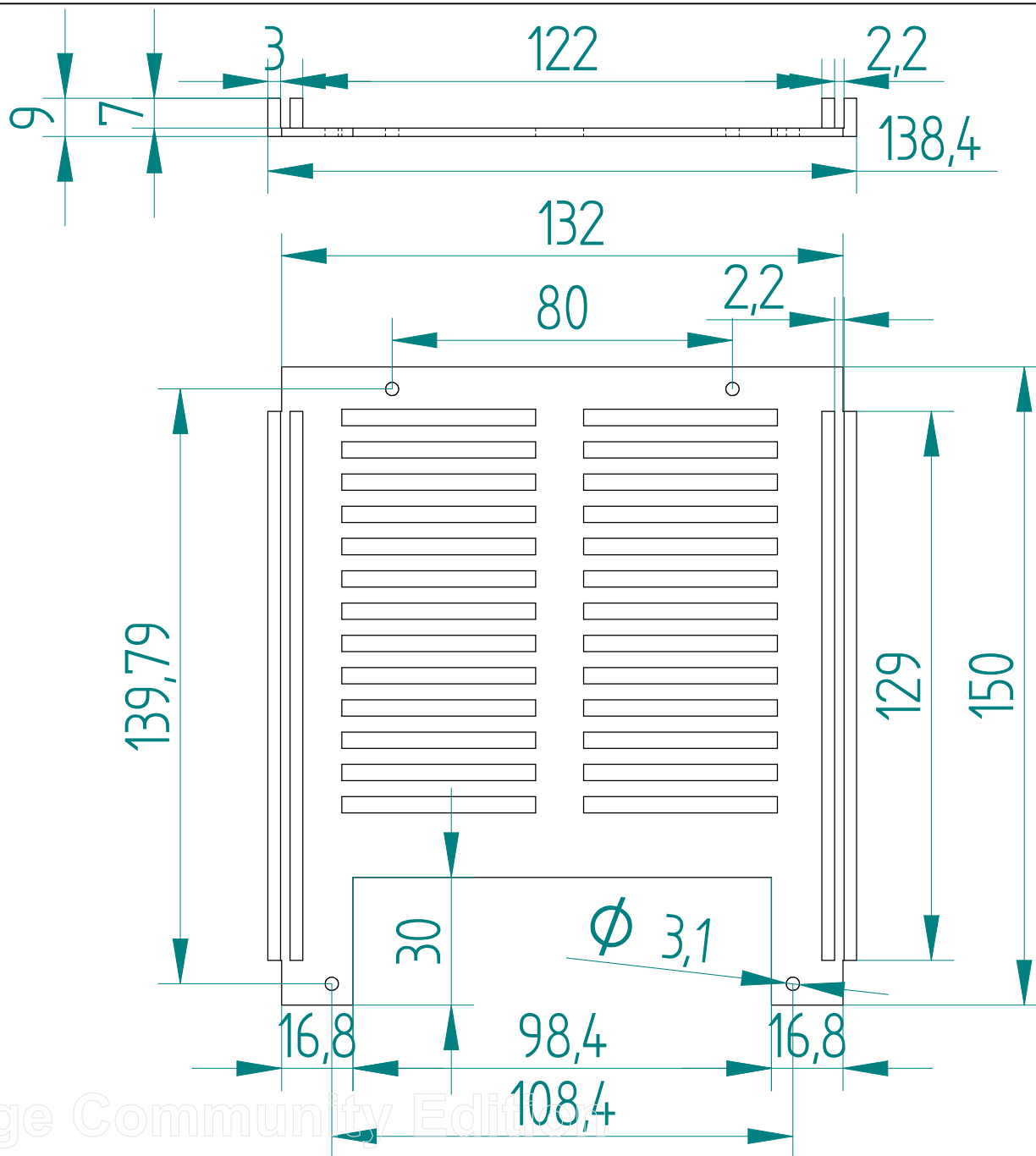
Solid Edge Community Edition



REVISION HISTORY			
REV	DESCRIPTION	DATE	APPROVED

DESIGN	NAME	DATE	Solid Edge	
CHECKED	OTHER	12/26/23	TITLE	
ENG. APPR.				
MECH. APPR.				
UNLESS OTHERWISE SPECIFIED DIMENSIONS ARE IN MILLIMETERS ANGLES IN °			SIZE	REV
2 PL. #XXX 3 PL. #XXXX			A1	
			FILE NAME	
			SCALE	WEIGHT
			SHEET 1 OF 1	

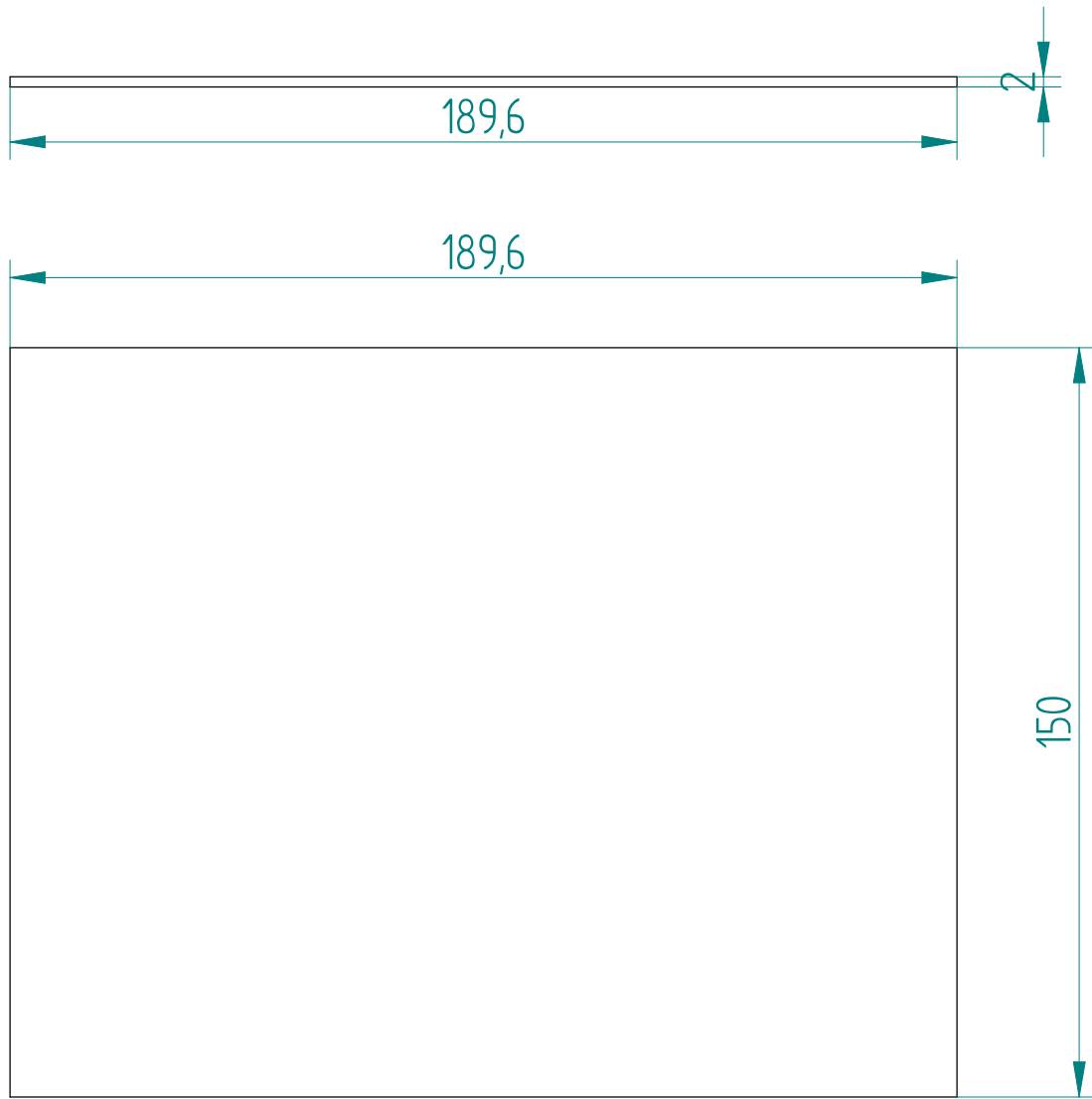
Solid Edge Community Edition



REVISION HISTORY			
REV	DESCRIPTION	DATE	APPROVED

DESIGN	NAME	DATE	Solid Edge	
CHECKED	OTHER	12/26/23	TITLE	
ENG. APPR.				
MGR. APPR.				
UNLESS OTHERWISE SPECIFIED DIMENSIONS ARE IN MILLIMETERS ANGLES IN °			SIZE	REV
2 PL. #XXX 3 PL. #XXXX			A1	
			FILE NAME	Back.dwg
			SCALE	WEIGHT
			SHEET 1 OF 2	

Solid Edge Community Edition

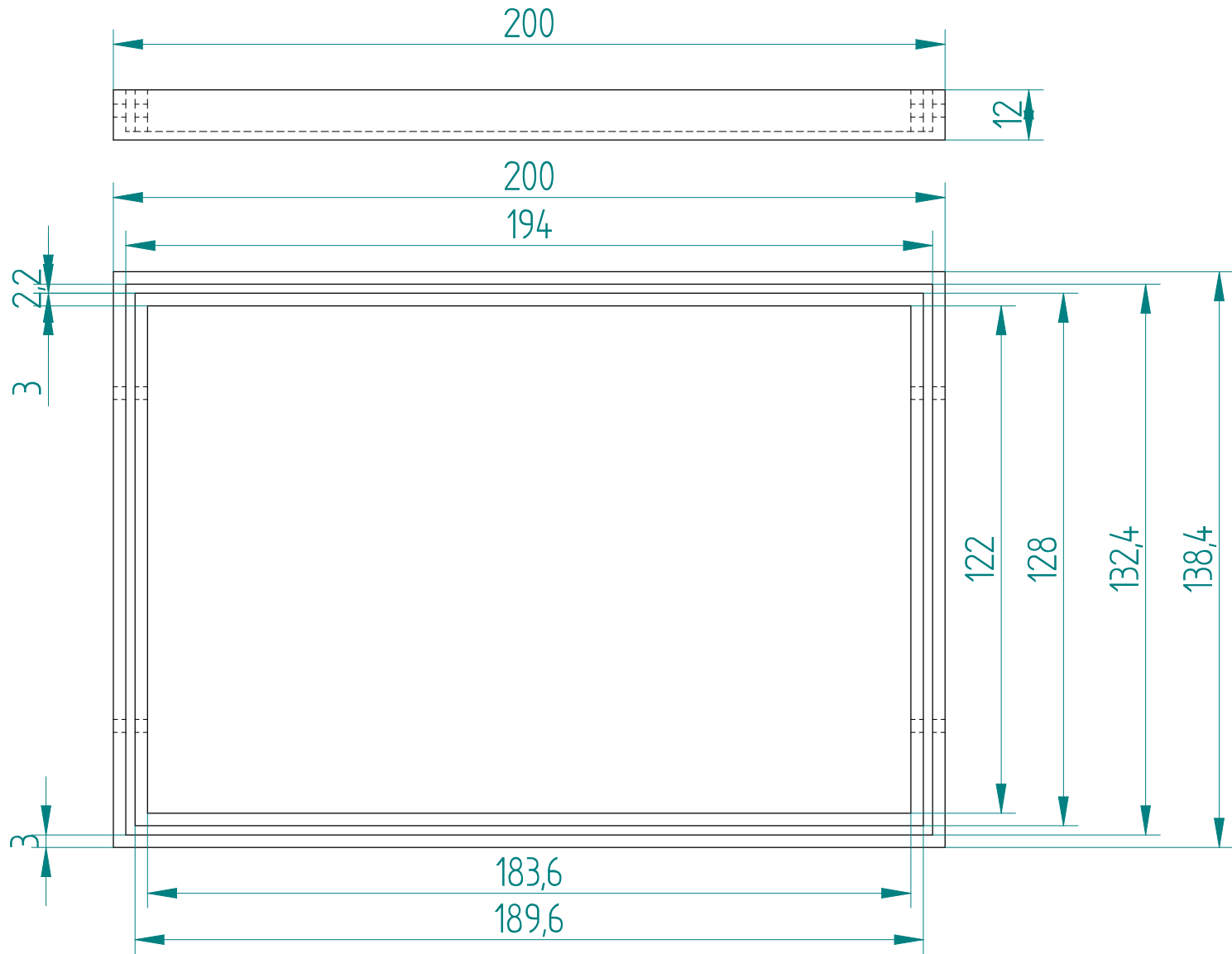


REVISION HISTORY			
REV	DESCRIPTION	DATE	APPROVED

Solid Edge Community Edition

DESIGN	NAME	DATE	Solid Edge	
CHECKED	OTHER	12/26/23	TITLE	
ENG. APPR.				
MECH. APPR.				
UNLESS OTHERWISE SPECIFIED DIMENSIONS ARE IN MILLIMETERS ANGLES IN °			SHEET	REV
2 PL. #XXX. 3 PL. #XXXX			A1	
FILE NAME: Sides.dwt			SCALE	WEIGHT
				SHEET 1 OF 1

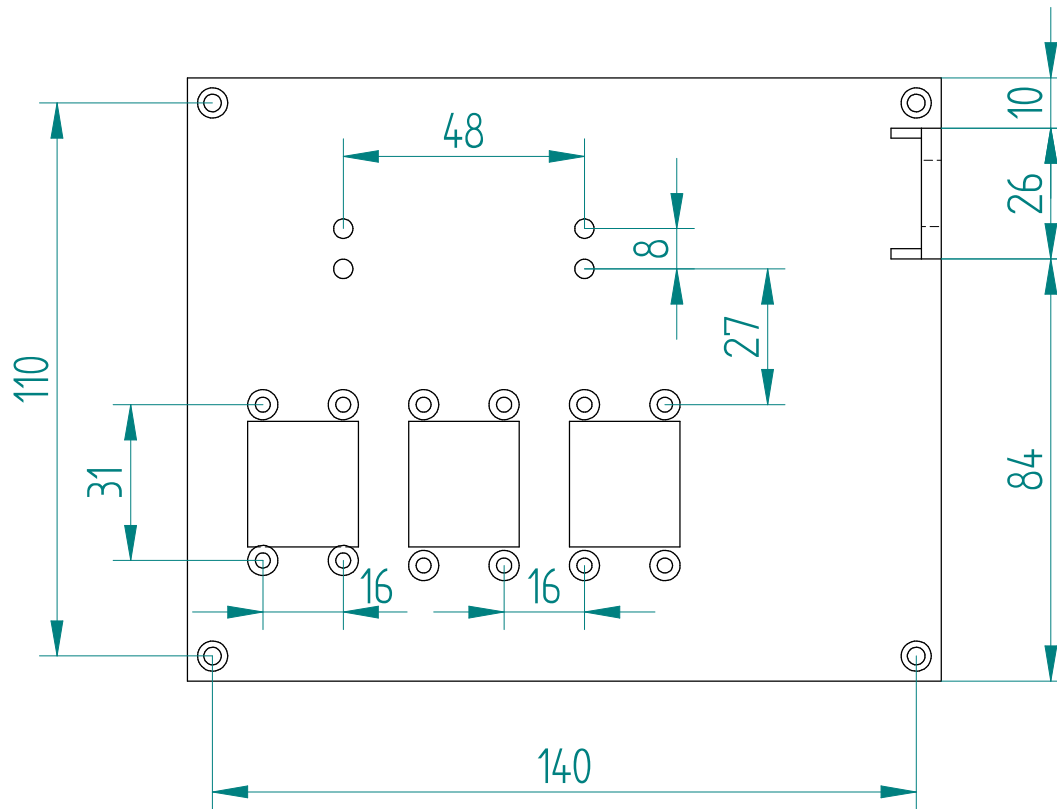
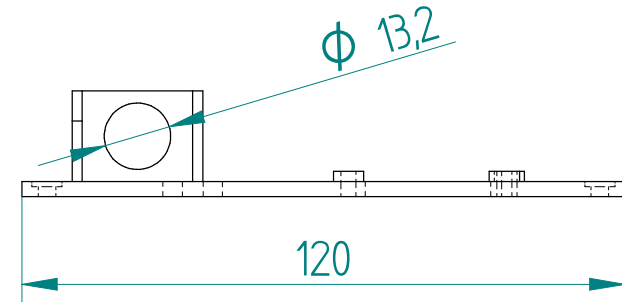
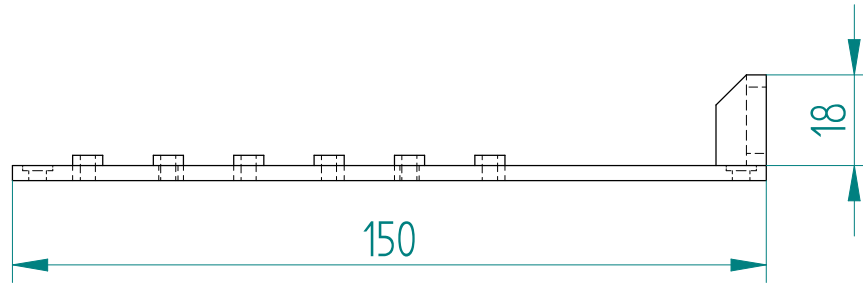
REVISION HISTORY			
REV	DESCRIPTION	DATE	APPROVED



Solid Edge Community Edition

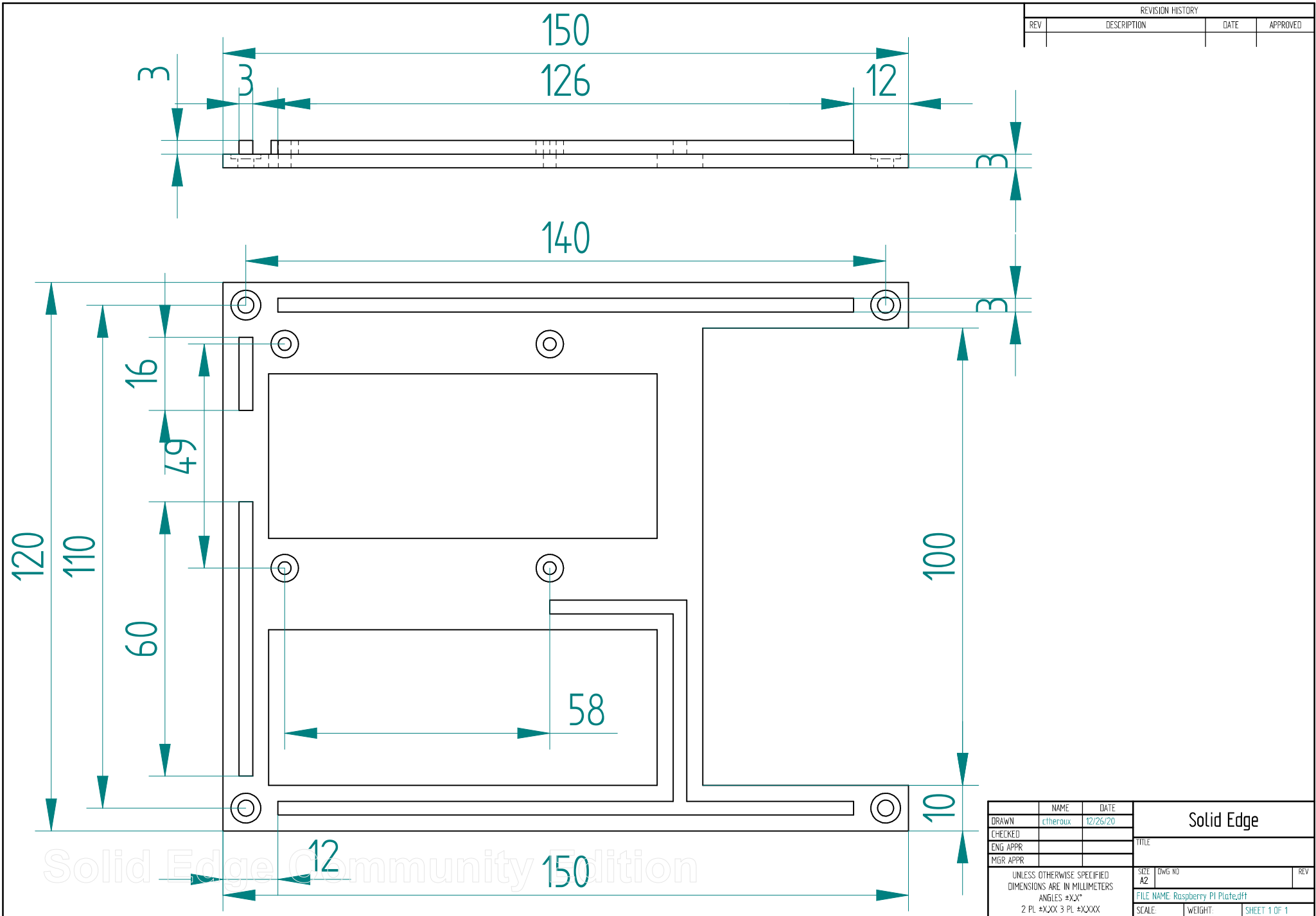
DESIGN	NAME	DATE	Solid Edge	
CHECKED	OTHER	12/26/23	TITLE	
ENG. APPR.				
MECH. APPR.				
UNLESS OTHERWISE SPECIFIED DIMENSIONS ARE IN MILLIMETERS ANGLES IN °			SHEET	NO. OF
2 PL. #XXX.3 PL. #XXXX			A1	REV
			FILE NAME: TopCaseParted1	
			SCALE	WEIGHT
			SHEET 1 OF 1	

REVISION HISTORY			
REV	DESCRIPTION	DATE	APPROVED



Solid Edge Community Edition

DESIGN	NAME	DATE	Solid Edge	
DRAWN	etheroux	12/26/23	TITLE	
CHECKED				
ENG. APPR.				
MECH. APPR.				
UNLESS OTHERWISE SPECIFIED DIMENSIONS ARE IN MILLIMETERS ANGLES IN °			SIZE	REV
2 PL. #XXX.3 PL. #XXXX			A1	
FILE NAME: Power Supply Plate.dft			SCALE	WEIGHT
				SHEET 1 OF 1



REVISION HISTORY			
REV	DESCRIPTION	DATE	APPROVED

DRAWN	NAME	DATE	Solid Edge	
CHECKED	ctheroux	12/26/20	TITLE	
ENG APPR				
MGR APPR				
UNLESS OTHERWISE SPECIFIED DIMENSIONS ARE IN MILLIMETERS ANGLES ±XX° 2 PL ±XXX 3 PL ±XXXX			SIZE A2	DWG NO
			FILE NAME	Raspberry Pi Plate.dft
			SCALE	WEIGHT
			SHEET 1 OF 1	

Solid Edge Community Edition