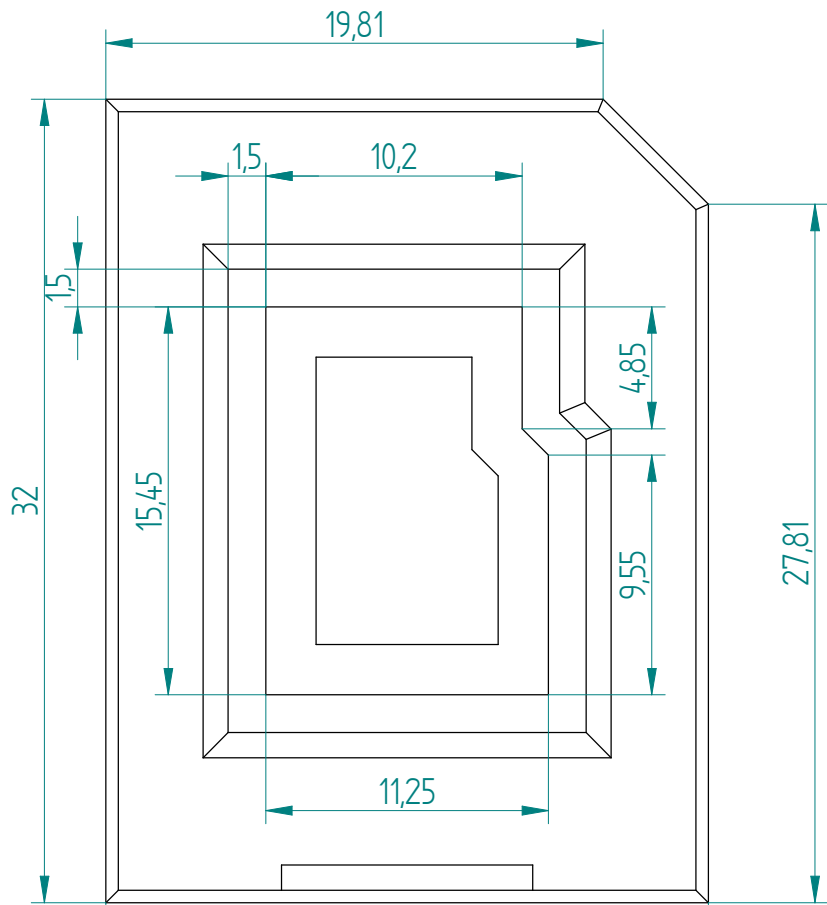
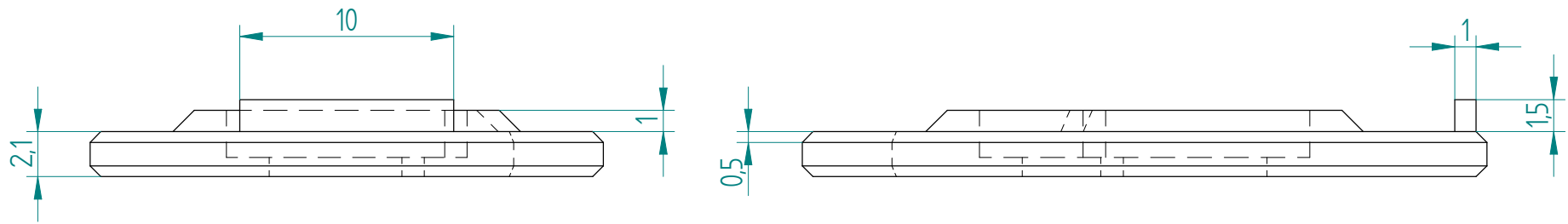


REVISION HISTORY			
REV	DESCRIPTION	DATE	APPROVED



Solid Edge 24 Community Edition

DRAWN	NAME	DATE	Solid Edge	
CHECKED	ctheroux	09/21/21	TITLE	
ENG APPR				
MEGR APPR				
UNLESS OTHERWISE SPECIFIED DIMENSIONS ARE IN MILLIMETERS ANGLES: 30°			SIZE (DWG NO)	REV
2 PL. 4X00 3 PL. 4X00X			A1	
FILE NAME: MicroSDCardCarrier.dft			SCALE	WEIGHT
				SHEET 1 OF 1